

COMTEC[®] 6000 O₂ / CO InSitu Analyser Systems



Maximum Efficiency and Supreme Quality
for the World Market

ENOTECH

COMTEC® 6000 The World's First InSitu O₂ and CO (Combustibles) Analyser

COMTEC® 6000 is a totally new and unique InSitu Oxygen & CO (Combustibles) flue gas and process gas analyser. The innovative combustibles sensor pioneered and developed by ENOTEC (patent pending), combines with its world-proven "leak-proof" Zirconia Cell technology to produce the world's first InSitu O₂ & CO analyser.

Both measuring cells, (O₂ & CO), are actually located inside the process measuring actual real-time values without

the need for sampling, conditioning and expensive hybrid systems. The COMTEC® 6000 probe simply installs directly inside the duct for direct & continuous dual readings of Oxygen & CO present. COMTEC® 6000 can easily be installed as standalone instrument or as a retrofit upgrade to an existing system. It's designed to be maintenance free, with minimal calibration requirements, and completely user-friendly operation.

Measuring principle of the ZrO₂-sensor for O₂ measurement

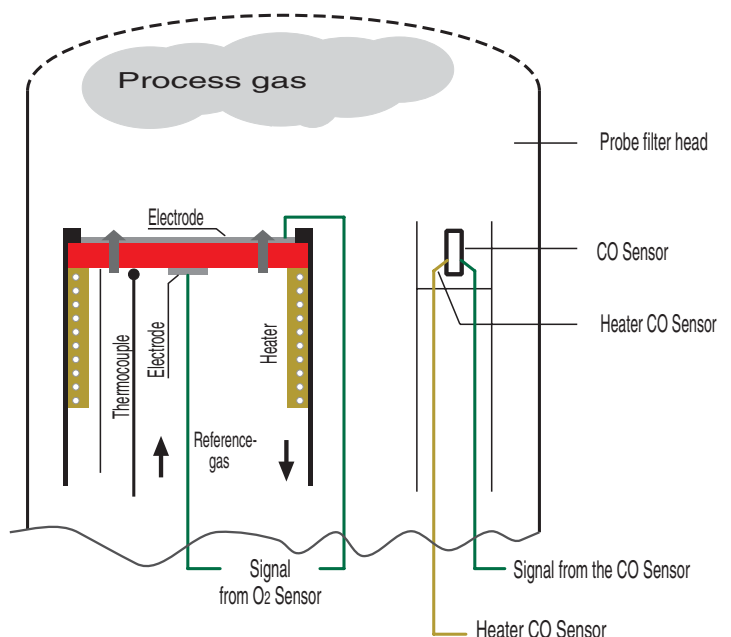
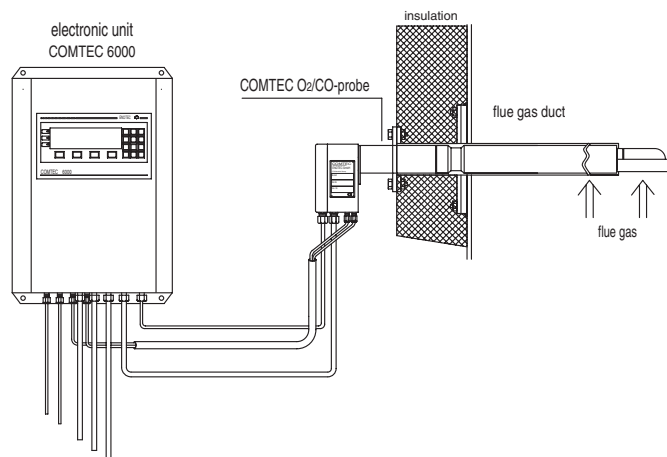
The mV signal produced by a temperature-stabilised Zirconia cell indicates the amount of oxygen concentration. Measurement is made direct and InSitu, i.e. the measuring cell is inside the flue gas duct at the end of the COMTEC® probe.

The measuring cell consists of a small zirconium-oxide disc, which is coated with porous layers of platinum on both sides and soldered with a gas-tight seal into the end of a steel tube cell holder. The temperature of the measuring cell is stabilised by a built-in heater whose temperature is kept constant by a temperature controller. At a constant measuring cell temperature the mV-output of the cell correlates - according to the Nernst equation - with the O₂ content.

Measuring principle of the Ga₂O₃-sensor for CO measurement

In general, a metal oxide sensor consists of an active layer, which resistance changes when exposed to the gas being measured. This changing of resistance is gripped by electrodes and it is proportional to the CO concentration. This unique semiconductor gas sensor is operated at high temperatures approx. 750°C. Ga₂O₃ sensors show faster response times and lower cross sensitivities than other sensors. Additionally, Ga₂O₃ based sensors show stable long-term sensor properties even in flue gases containing of sulphur and dirt. Furthermore, the sensor has an excellent measurement repeatability.

System configuration



Probe filter head

Advantages of the COMTEC® 6000 Analysing System:

- Both measurements are made truly InSitu without sampling
- Versions available for Installation in Safe or Hazardous locations
- Ideal for all fuels: Coal, Oil, Gas and Waste Products.
- Easy installation & calibration
- Measuring Range: programmable by customer
- High Accuracy
- Twin (O2 & CO) LCD SME5 electronic simultaneous displays.
- Fully field serviceable & repairable
- Full 2-Year Warranty program.

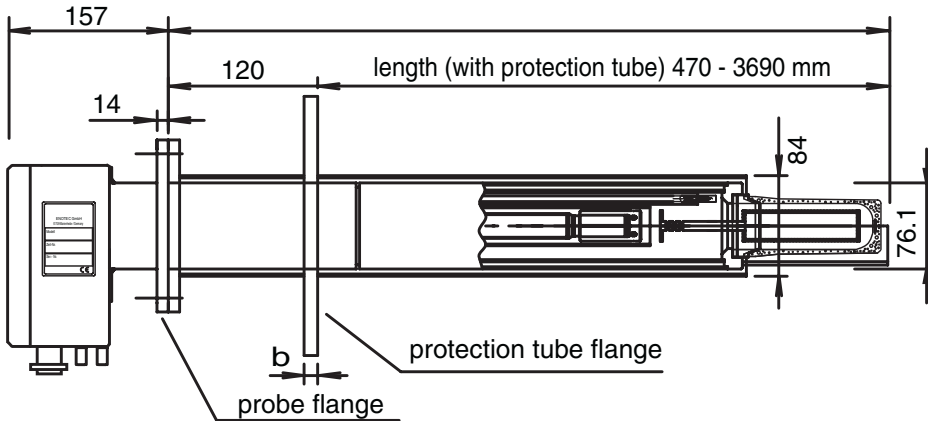


Technical Data:

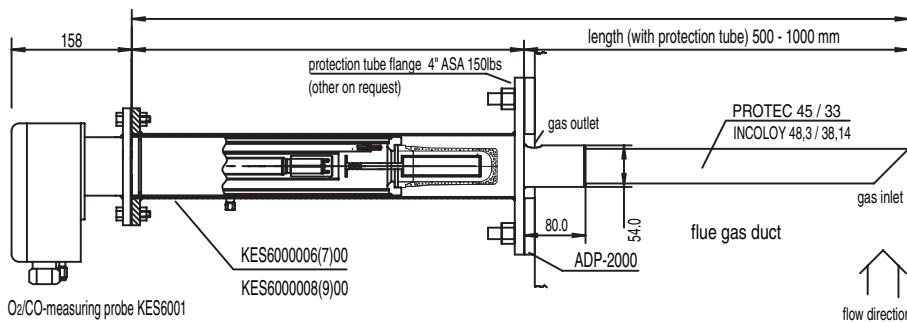
Dimensions:: see dimension drawings
 Mains voltage: 115 - 230 V/50 to 60 Hz tolerance +/-10%
 Power consumption: 400 VA during heating up
 100-200 VA during operation
 Series fuse recommended: 10 A
 Flue gas temperature: < 600°C
 < 1400°C with gas cooling tube
 Ambient temperature: -20 °C to +55 °C
 other temperatures on request
 Immunity from disturbance: European low voltage general directions:
 EN 50081-2 / EN 50082-2
 Relay outputs: floating: 230 V- 5 A resistive load
 Resolution of A/D converters: 14 Bit + sign

Analogue input of thermocouple: Re: >900 kilo Ohm
 Temperature compensation: Electronic
 Signal outputs 0/4 to 20 mA: Load max. 500 ohm, potential-free
 Response time of mA output: < 175 ms
 Display: LCD, LED-illuminates,
 240 x 64 points, graphic display
 RS 232, RS 485, bus compatible
 Interfaces:
Measuring Range:
 Oxygen: 0 - 2 % / 25 % O₂ (others on request)
 CO (Combustibles): 0 - 500 ppm / 10,000 ppm (others on request)
 High Accuracy: Oxygen +/- 0.2% of reading, min. 1 ppm O₂
 CO (Combustibles) +/- 2 % of reading or
 max. +/- 25 ppm CO

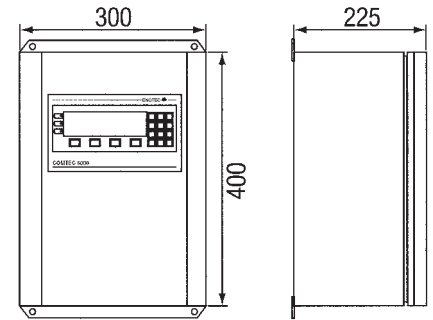
COMTEC® 6000 Probe (for max. 600° C)



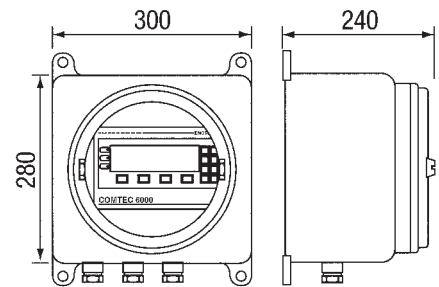
COMTEC® 6000 Probe (for max. 1400° C)



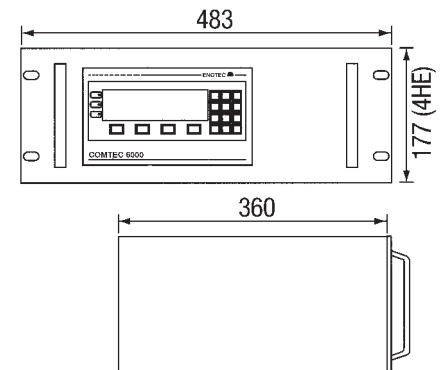
Sheet steel panel housing



Explosion proof housing EExd II C T6

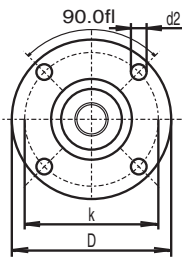


19" slide in module



Flange options for COMTEC® 6000 measuring probe - Dimensions of protection tube flange in mm

protection tube flange



Mat.: 1.4571

Artikel-No.	0-R-000974	0-R-000972	0-R-000973	0-R-000971	0-R-000975	0-R-000976	0-R-000977
flange type	ANSI 4 B 150 LB	DIN 2527 DN65/PN16	DIN 2527 DN65/PN6	ANSI 2" 150 lbs	DIN 2527 DN50/PN16	ANSI 3" 300 lbs	für 1; 1,5; 2 m ZFG2 standard probe
D	228,6	185,0	160,0	153,0	165,0	209,5	165,0
b	12,0	12,0	12,0	12,0	12,0	12,0	12,0
k	190,5	145,0	130,0	121,0	125,0	168,3	140,0
d2	19,0	18,0	14,0	20,0	18,0	22,2	12,5
number of holes	8	4	4	4	4	8	6
letter in order form	A	B	C	D	E	F	G

The information and material contained in this document are protected by Copy write ©, and as such, cannot be copied in part or whole without written permission of ENOTEC GmbH.

ENOTEC policy is one on continuous product improvement, and therefore, serves the right to change specifications and information as required without prior notice.

Headquater:

ENOTEC GmbH
Höher Birken 6
D-51709 Marienheide
Germany
Tel.: +49 22 64-4578-0
Fax: +49 22 64-4578-31
Email: info@enotec.de
Internet: www.enotec.de
www.enotec.com

ENOTEC Inc.
6206 Sandy Ridge Circle NW
North Canton
OHIO 44720 - 6686
USA
Tel.: +1 330 498 0202
Fax: +1 330 497 9802
Email: enotec.inc@enotec.com

ENOTEC UK Ltd.
The Red House
84 The High Street
Buntingford
Herts SG9 9AJ
England
Tel.: +44 1763 272069
Fax: +44 1763 273594
Email: enotec.uk@enotec.com

ENOTEC ASIA PTE. Ltd.
Pasir Panjang Distripark
Block 1
#02-11 Pasir Panjang Road
Singapore 118480
Tel.: +65 6270 6020
Fax: +65 6399 2780
Email: enotec@singnet.com.sg